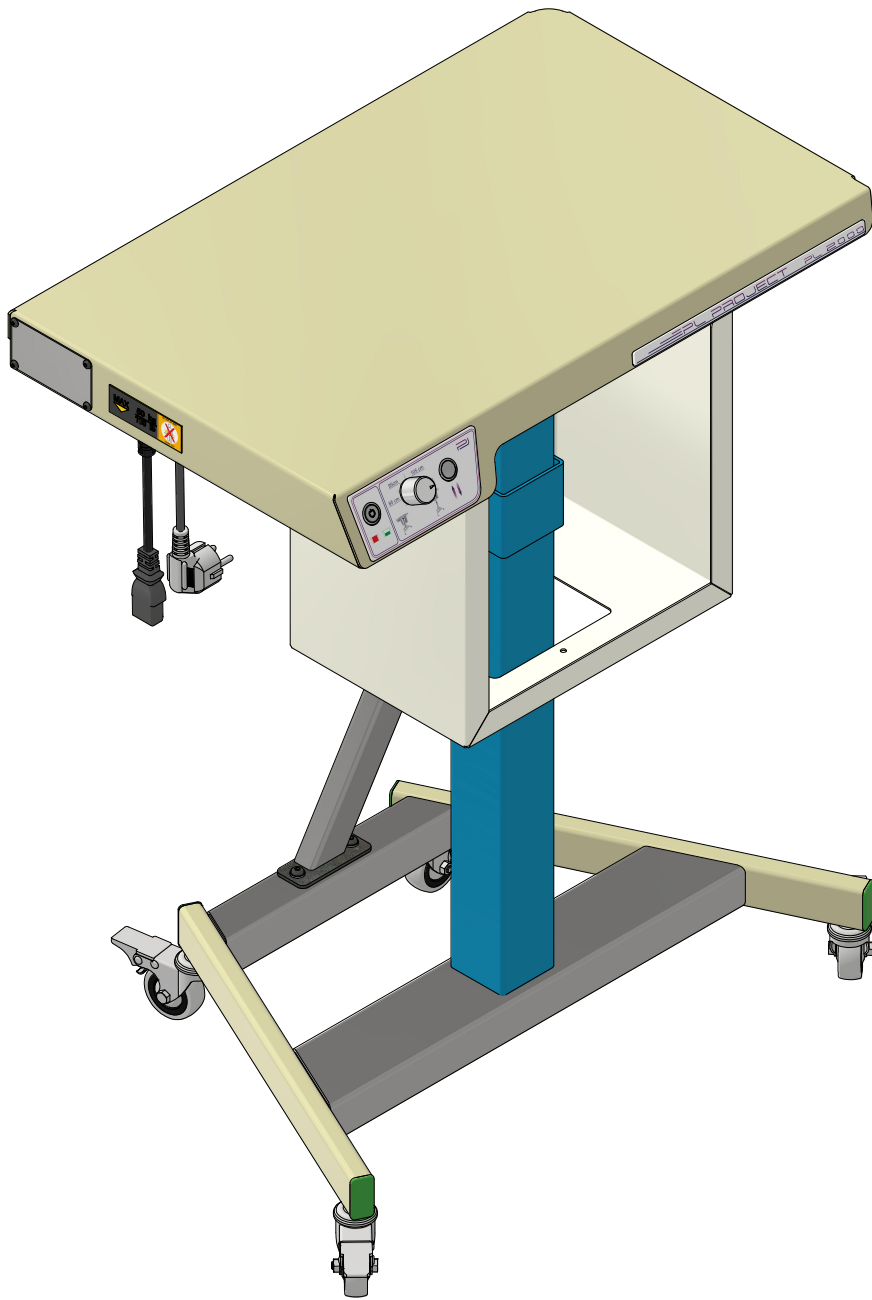



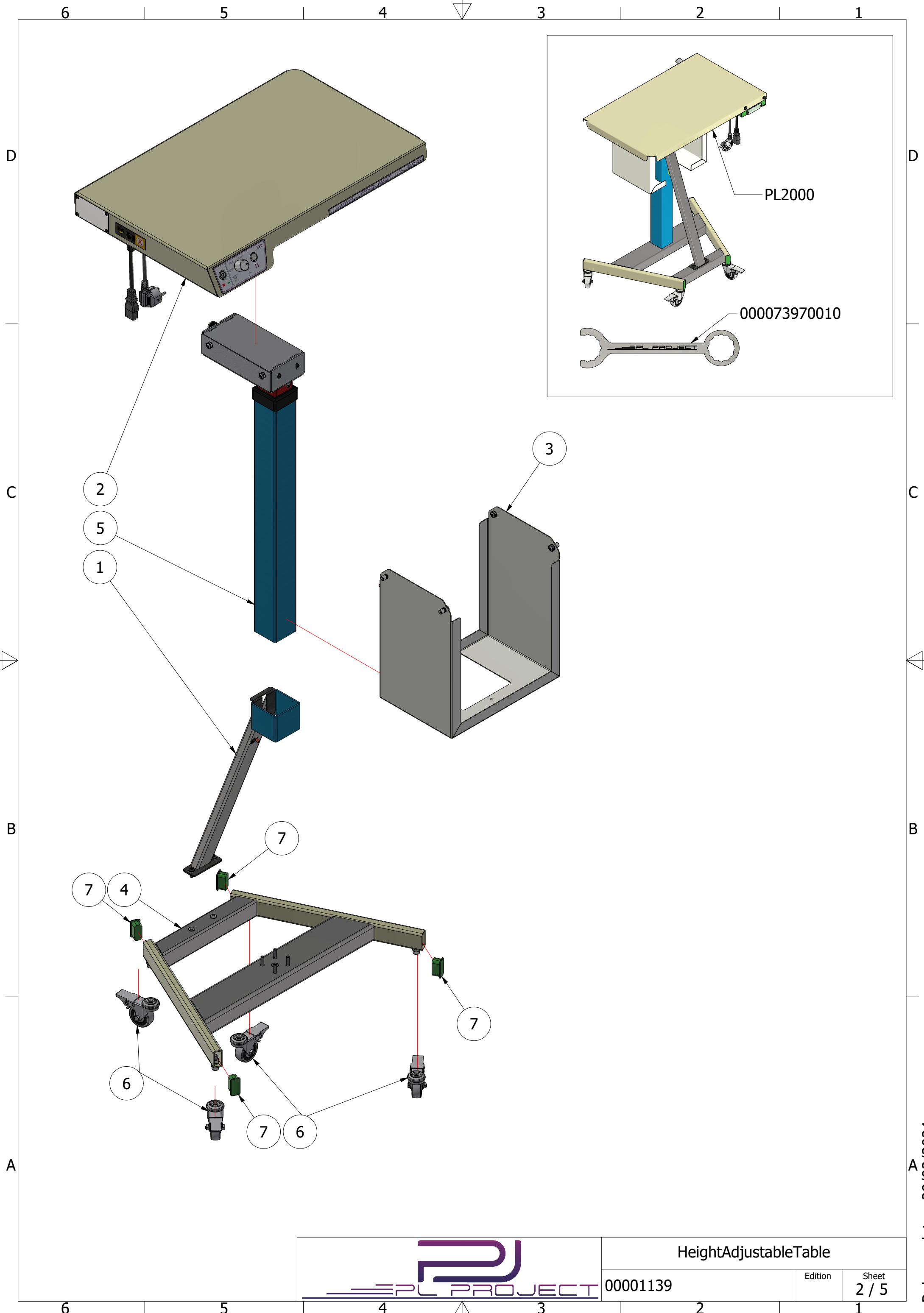
SparePartsList

000011390080

Release 12



	HeightAdjustableTable		
	00001139	Edition	Sheet 1 / 5



HeightAdjustableTable		Edition		Sheet	
00001139				2 / 5	

Release date : 29/02/2024

PARTS LIST


ITEM	QTY	ArticleNumber	DESCRIPTION	OPTION*
1	1	000011320010	Back support	SP
2	1	000011230020	Work table	SP
3	1	000012200010	Auxiliary stand	SP
4	1	000061540010	Floor base	SP
5	1	000011780040	Linear actuator	SP
6	4	000051800010	Support wheel	SP
7	4	000011410010	Floor support plastic cap	SP
		----	----	----
		PL2000	Work table with adjustable height	
Tools/Accessories				
		000073970010	19mm combination wrench for button	T

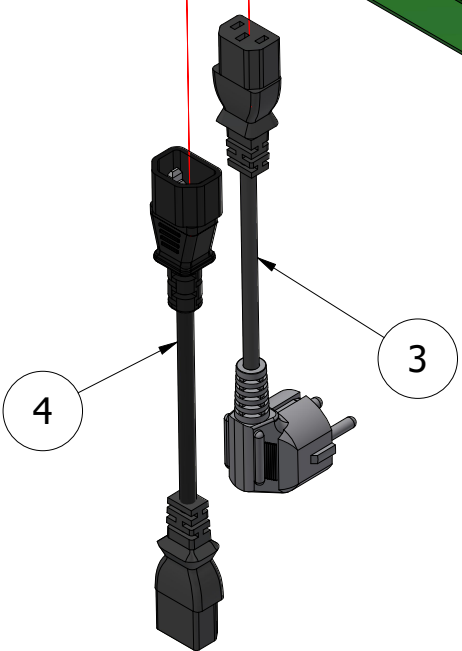
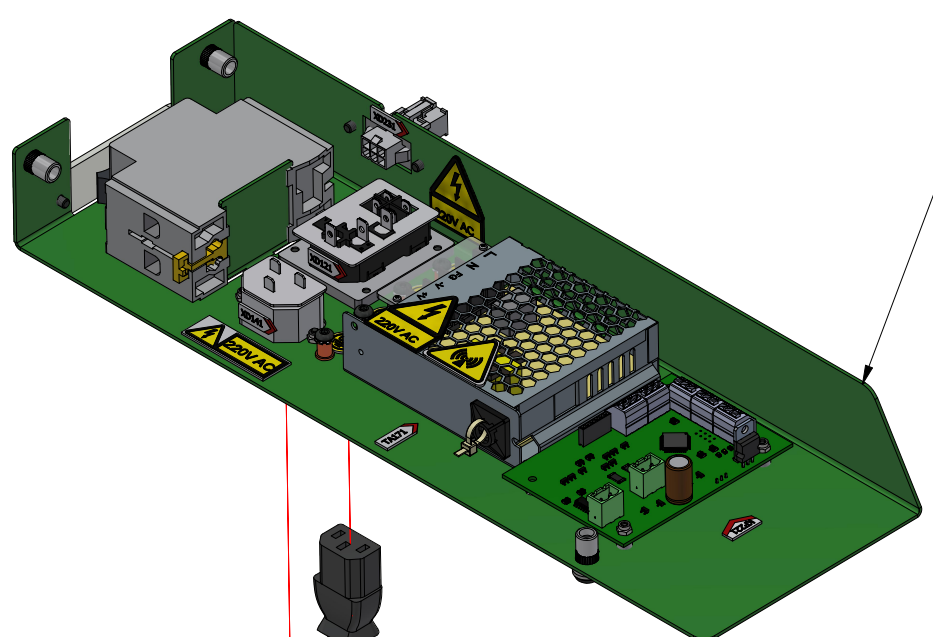
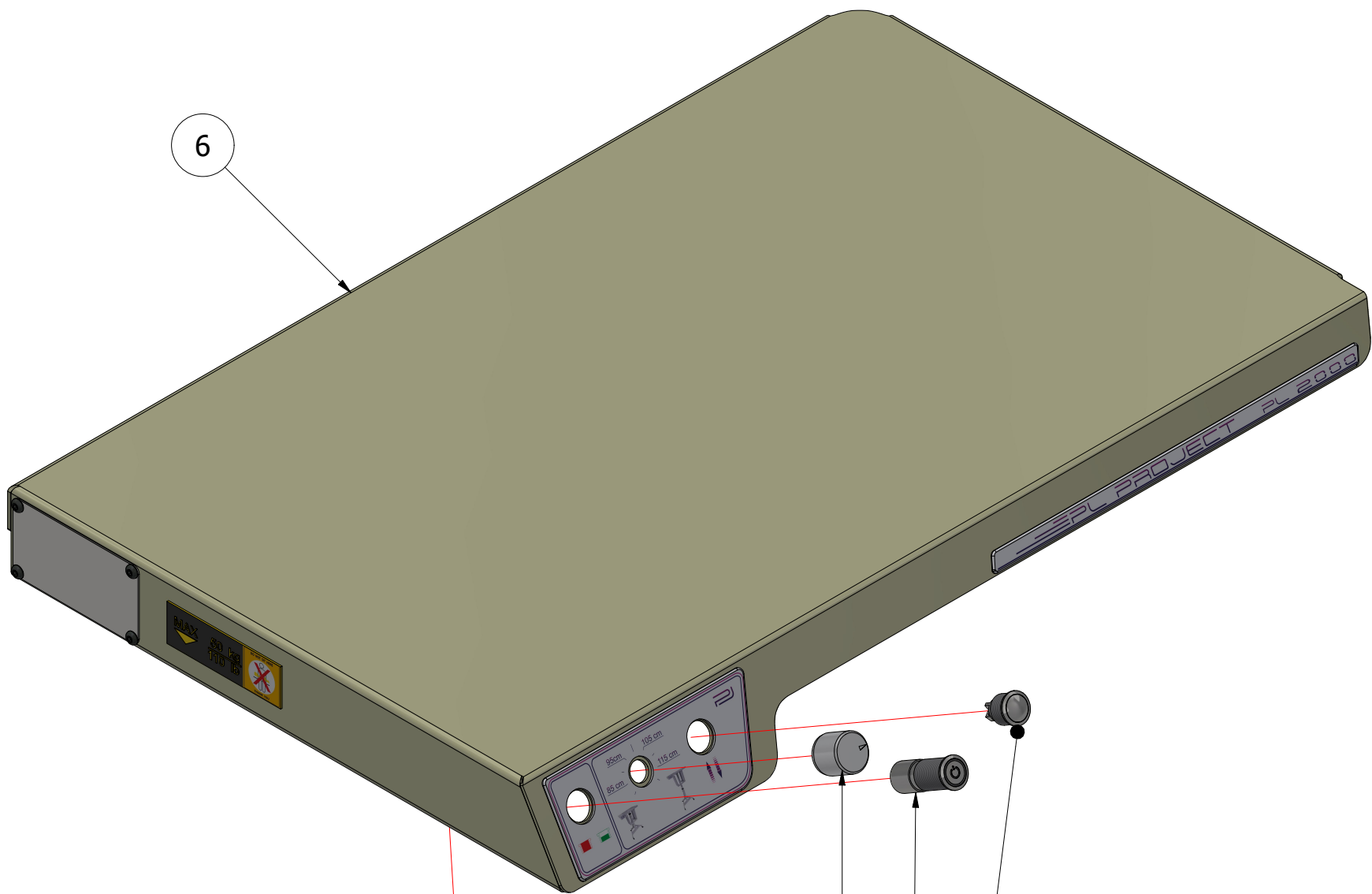
*SP - Spare Part; C - Consumable; T- Tool; A - Accessory

**The terms depend on different factors i.e paints used etc.

Normally, the period of use should be longer than the specified above.

This machine is safe and reliable. There is a risk of harm if it is not mounted properly or used by not trained personnel. Anyone involved in the relocation, mounting, maintenance and operation with the machine must be familiar with the corresponding instructions.

	HeightAdjustableTable		
	00001139	Edition	Sheet 3 / 5



S/N: 000011230020



Work table		
00001123	Edition	Sheet
		4 / 5

Release date : 29/02/2024


PARTS LIST

ITEM	QTY	ArticleNumber	DESCRIPTION	OPTION*
1	1	000007420010	Metal button IP65 two-position no retention	SP
2	1	000011400010	Height adjustment knob	SP
3	1	000007410010	Power supply cable	SP
4	1	000011050010	Table to machine power extension cord	SP
5	1	000014310020	Potentiometer with cable	SP
6	1	000013760010	Table plot	SP
7	1	000016970010	Metal button IP65 two-position with hold with power symbol	SP
8	1	000011180020	Control module	SP

S/N: 000011230020

*SP - Spare Part; C - Consumable; T- Tool; A - Accessory
 **The terms depend on different factors i.e paints used etc.
 Normally, the period of use should be longer than the specified above.

This machine is safe and reliable. There is a risk of harm if it is not mounted properly or used by not trained personnel. Anyone involved in the relocation, mounting, maintenance and operation with the machine must be familiar with the corresponding instructions.

	Work table		
	00001123	Edition 2	Sheet 5 / 5

Release date : 29/02/2024